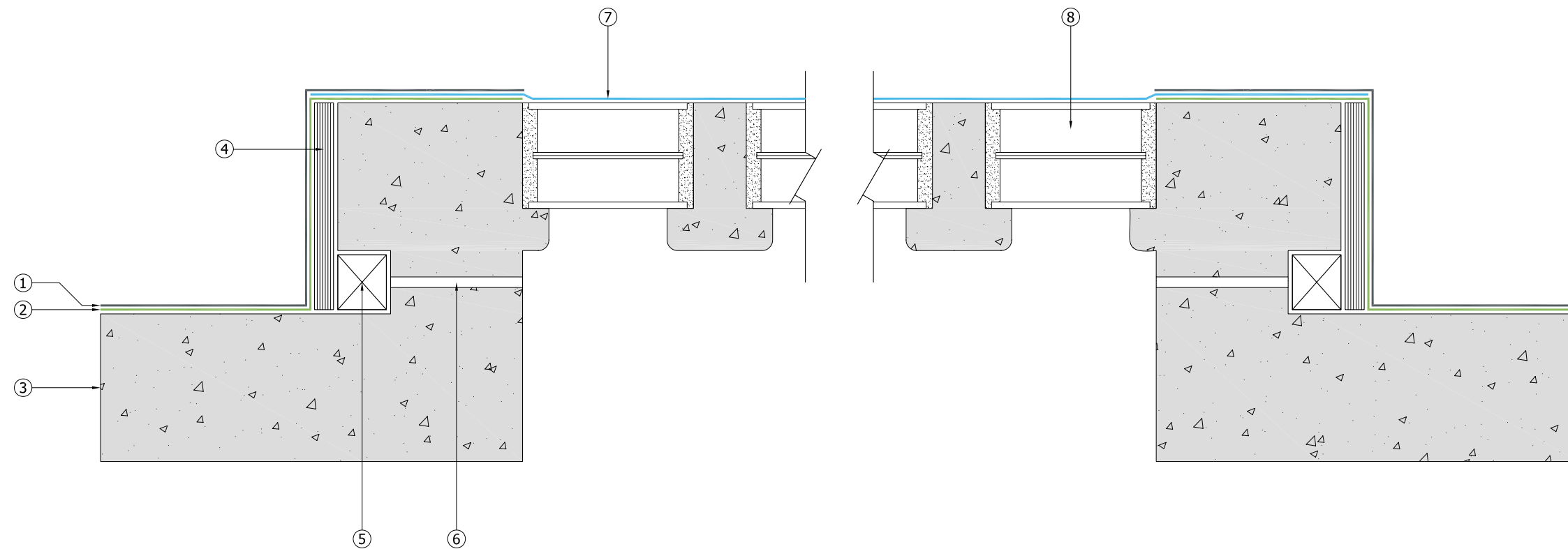


Key

- ① — Decaflex Top Coat applied in strict accordance with Sika Plastics Project Specification
- ② — Decaflex Embedment Coat with Reemat Premium GFM
- ③ Existing substrate prepared in strict accordance with Sika Liquid Plastics Project Specification
- ④ Tanalised timber packer bonded with Decostik
- ⑤ Existing background ventilation in the rooflight upstands blocked-off; sufficient ventilation created elsewhere to the satisfaction of Local Authority Building Control
- ⑥ Mechanically fixed 18mm thick exterior grade WBP plywood - making good around existing rooflight as required
- ⑦ — Decothane Clearglaze staged with the Decaflex Waterproofing System in strict accordance with Sika Liquid Plastics Project Specification
- ⑧ Existing brick lights/glazing blocks/concrete rooflight prepared in strict accordance with Sika Liquid Plastics Project Specification



Sika Liquid Plastics
 Sika House
 Miller Street
 Preston
 Lancashire PR1 1EA
 Telephone: 01772 259781
 Email: technical.customer.services@uk.sika.com
 Web: www.liquidplastics.co.uk

This drawing is solely intended to illustrate the correct application of Sika Liquid Plastics products and systems, it must be read in conjunction with the appropriate specification and current issue of relevant Technical Data Sheets. All elements bearing reference to structural and/or thermal design are shown indicatively and should not be used in whole or in part for any aspect of project design without consulting the relevant authorities.

For refurbishment projects, all aspects of the existing roof are deemed to be fully compliant with BS 6229:2003 [Code of Practice for Flat Roofs with Continuously Supported Coverings] or improved upon for instances where these standards are not met.

Site-specific details not covered by our range of Standard Details can be obtained by providing relevant information to the email address shown.

Project No:

DWG No: Revision

Project:

Drawing Title:
 Waterproofing Application Detail
 to existing glass block rooflight
 showing Decothane Clearglaze

Scale: NTS @ A3 Drawn:

Date:

